

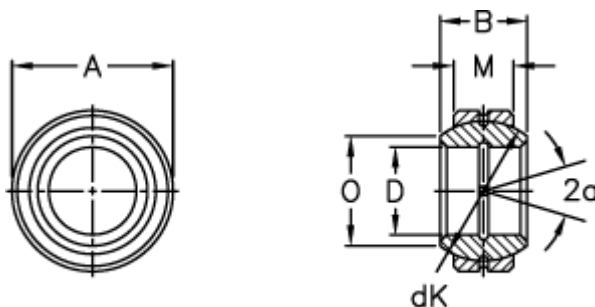
# Data Sheet



Article number: 03505035

Description: Fluro Rod end GE 35FO

## Measures



Str. 6–12 uden smørerille

A	= 62 0 -0,013	Tilt angle = 16
B	= 35	Weight = 380
D	= 35 0 -0,012	
dK	= 53	
Dynamic load C (kN)	= 100	
M	= 22	
O	= 39.7	
Static load C0 (kN)	= 500	